

TF FOAM DISCHARGE HEAD

Data/Specifications

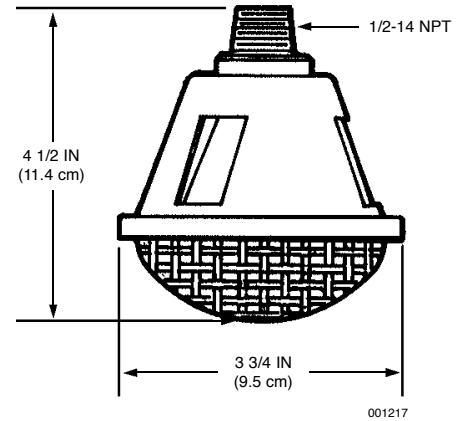


APPLICATION

Depending on the hazard, various low expansion foam agents, such as protein, fluoroprotein, AFFF, Alcohol Resistant AFFF and Class A foam concentrates can be used with the TF discharge head. Typical applications include dike protection, pump pit areas, and as ground sweep nozzles for truck loading racks.

DESCRIPTION

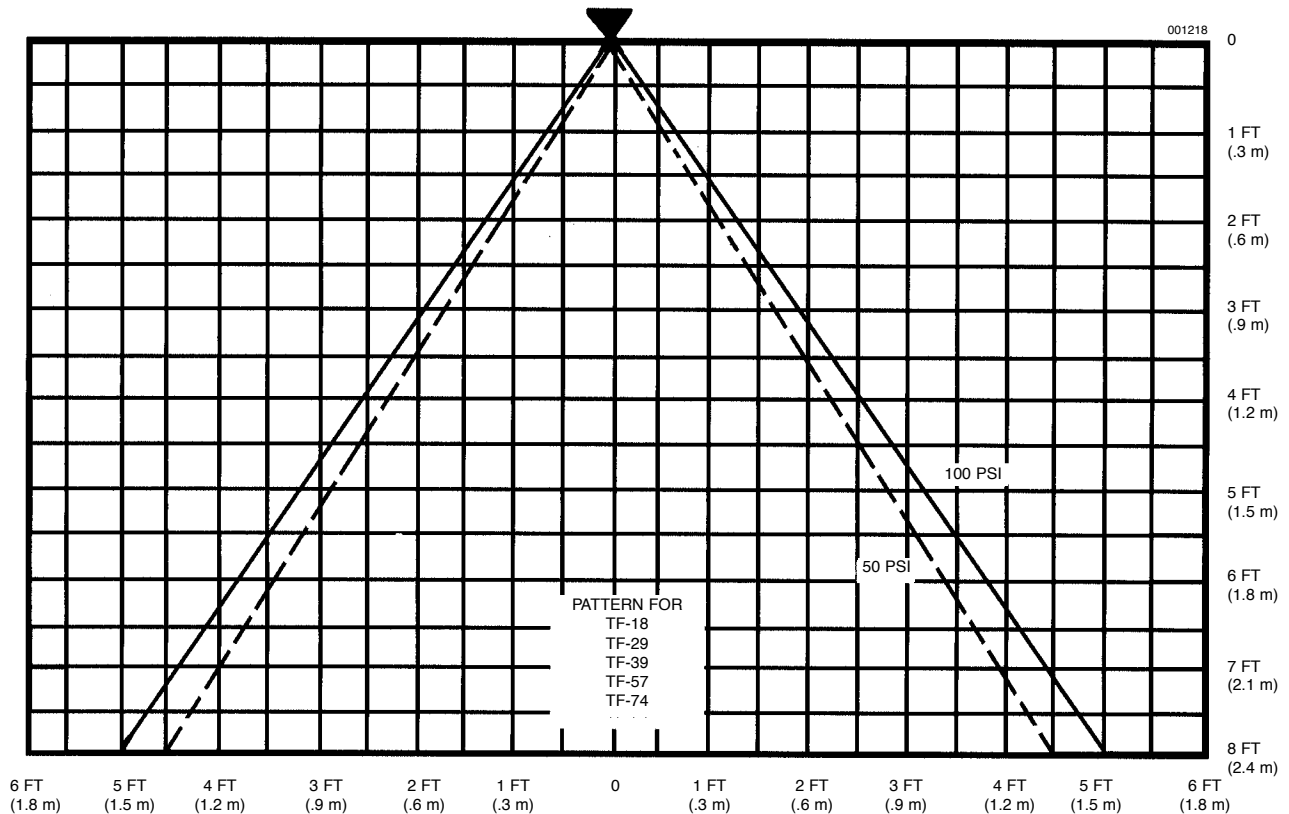
The TF foam discharge head is designed to discharge foam in a spray pattern. These air-aspirated directional spray heads can be mounted in any position between horizontal to vertical.



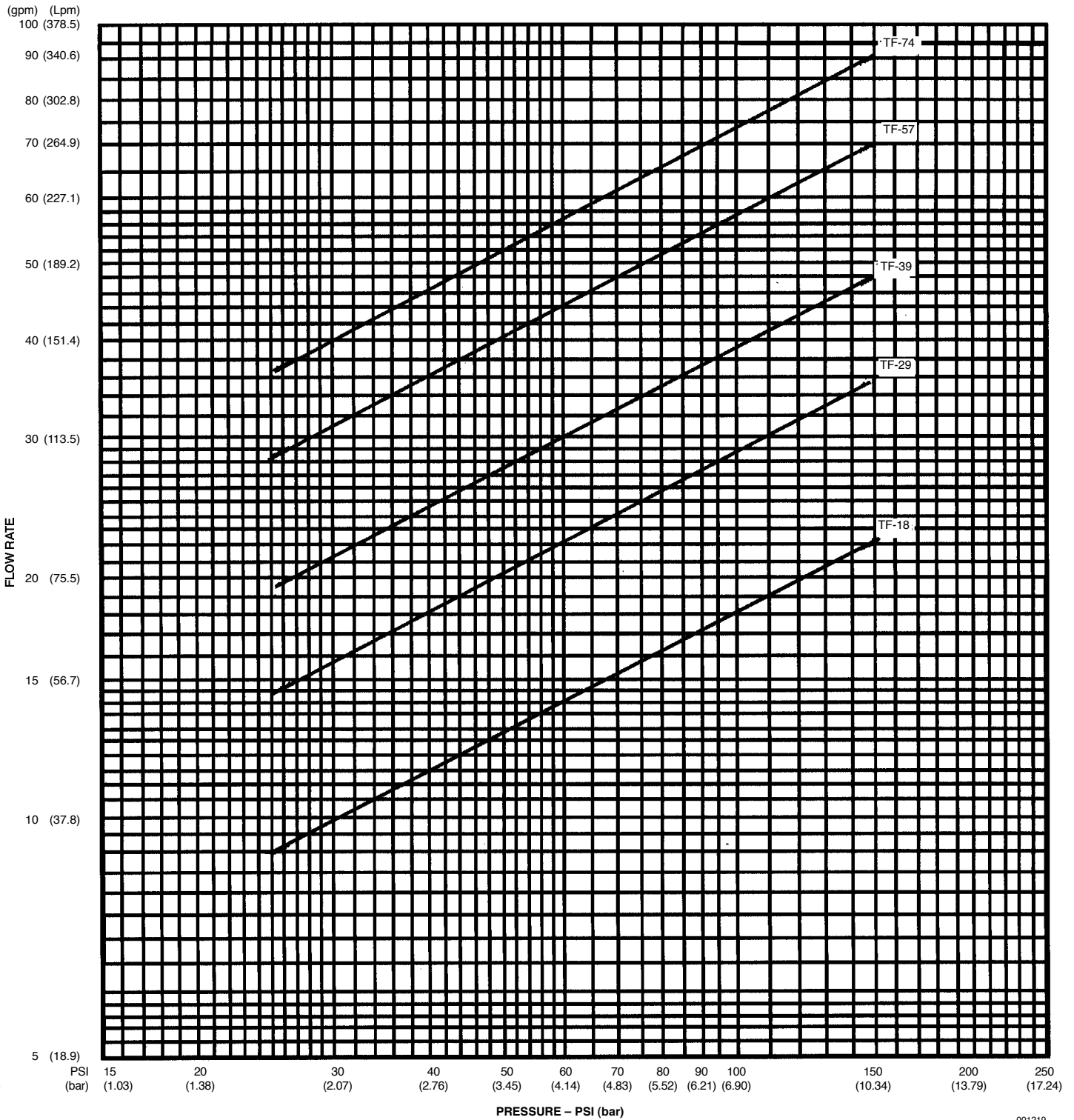
ORDERING INFORMATION

Part No.	Description	Approximate Shipping Weight	
		lb	(kg)
420028	TF-18 Foam Discharge Head – Brass	2	(0.9)
420029	TF-29 Foam Discharge Head – Brass	2	(0.9)
420030	TF-39 Foam Discharge Head – Brass	2	(0.9)
420031	TF-57 Foam Discharge Head – Brass	2	(0.9)
420032	TF-74 Foam Discharge Head – Brass	2	(0.9)

COVERAGE PATTERNS



TF FOAM DISCHARGE HEADS FLOW CHARACTERISTICS



001219

ANSUL is a trademark of Ansul Incorporated or its affiliates.



Ansul Incorporated
Marinette, WI 54143-2542

715-735-7411
www.ansul.com

Copyright ©2007 Ansul Incorporated
Form No. F-94118-1